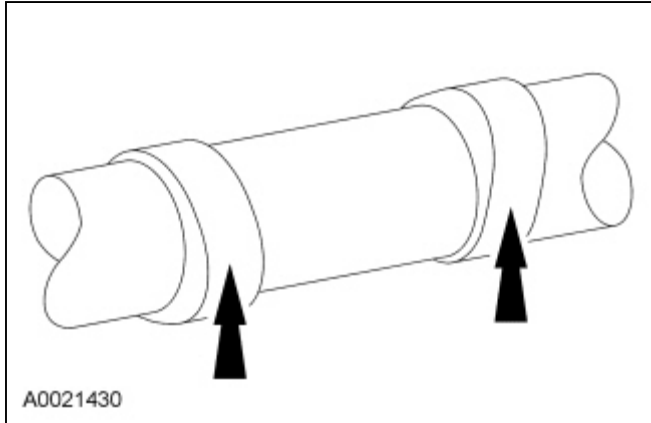


Camshaft Surface Inspection

1. Inspect camshaft lobes for pitting or damage in the contact area. Minor pitting is acceptable outside the contact area.



A0021430
